

## NEOREST AH

Luxurious Integrated Toilet



TOTO  
GREEN  
CHALLENGE



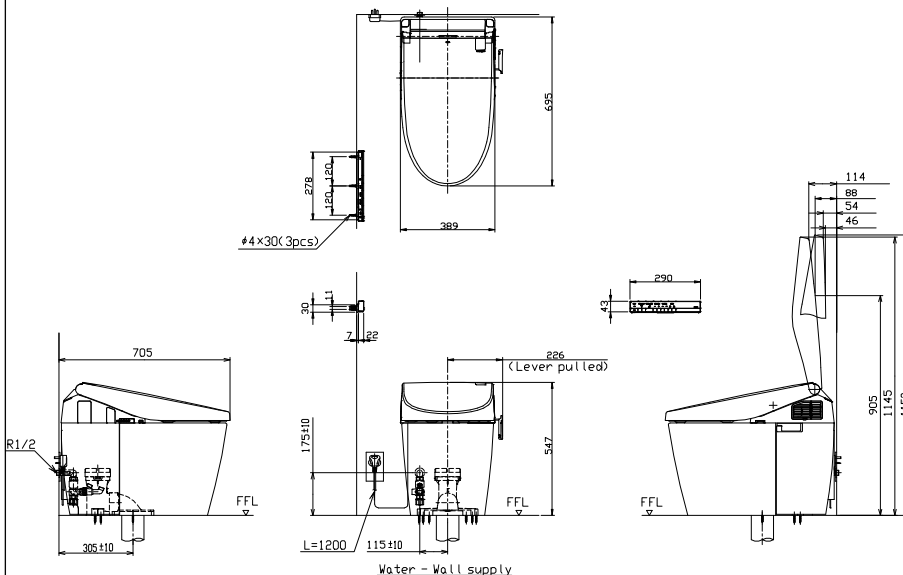
**CS985VA/TCF9786WA**  
**CS985PVA/TCF9786WA**

## Features

- Luxurious Toilet integrated with WASHLET unit.
- Hybrid Ecology System
  - water saving dual flush 3.8/ 3.0L (CS985PVA 4.8/ 3.4L)
  - minimum required water pressure only at 0.05Mpa (Dynamic)
- Tornado Flushing for powerful flushing effect with less amount of water.
- Reduced flushing sound
- *e*water+ automatically spreads out and keeps clean toilet bowl and nozzle by preventing bacteria with sanitizing effect
- CeFiONtect prevents debris on toilet surface
- Fully equipped with comfortable rear, front, and oscillating cleansing functions
- Auto lid opening and closing function
- Auto soft light function usable for night time usage

*e*water+ is made from tap water by electrolyzed chloride ion without any chemicals. After use, it returns to normal water in the state of safe and environmental friendly

CS985VA / TCF9786WA



## Specifications

- Flush System : Tornado Siphon Jet  
 Water Use : 3.8/ 3.0 L (CS985VA)  
 : 4.8/ 3.4 L (CS985PVA)  
 Rough-in : 305 mm (CS985VA)  
 : H=120~153mm (CS985PVA)  
 Water Pressure : 0.05Mpa ~ 0.75Mpa  
 Power Rating : 220 ~ 240V : 50/60Hz  
 Length of Power Cord : 1.2 m  
 Material : Bowl - china  
 Seat & Cover - plastic  
 Remote Controller - Aluminium  
 Size : 389Wx705Dx547H

## Parts Description

- **CS985VA**  
Water Closet Bowl (S-trap)
- **CS985PVA**  
Water Closet Bowl (P-trap)
- **TCF9786WA**  
WASHLET Unit

## Colors

White

Please consult a TOTO representative for details

